



# ACCESSIBILITY REQUIREMENTS Information Sheet

This pamphlet is a guide to the most common questions and problems. For complete information, see the "Minnesota Accessibility Code, Chapter 1341."

## Sales and Service Counters

In department stores and miscellaneous retail stores where counters:  
 1) have cash registers and 2) are provided for sales or distribution of goods or services to the public, at least one of each type shall have a portion of the counter which is a minimum of 36" in length and a maximum height of 36" above the finished floor. The counters shall be on an accessible route.

## Dressing and Fitting Rooms

**Clear Floor Space:** A clear floor space allowing a person using a wheelchair to make a 180-degree turn shall be provided in every accessible dressing room entered through a swinging or sliding door. No door shall swing into any part of the turning space.

**Doors:** All doors to accessible dressing rooms shall be in compliance with the Minnesota Accessibility Code.

**Bench:** Every accessible dressing room shall have a 24" by 48" bench fixed to the wall along the long dimension. The bench shall be mounted 17" to 19" above the finished floor. Clear floor space shall be provided to allow a person using a wheelchair to make a transfer onto the bench.

**Mirror:** When mirrors are provided in dressing rooms of the same use, then in an accessible dressing room, a full-length mirror measuring at least 18" wide by 54" high, shall be mounted in a position affording a view to a person on the bench as well as to a person in a standing position.

## Accessible Urinals

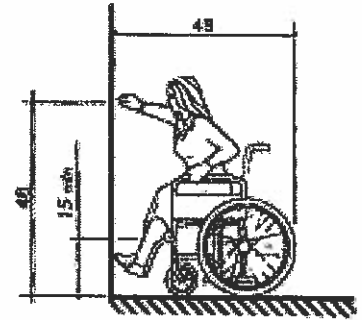
**Height:** Stall-type or wall-hung urinals shall have an elongated rim at a maximum of 17" above the finished floor.

**Clear Floor Space:** A clear floor space 30" by 48" in front of the urinals allows a forward approach.

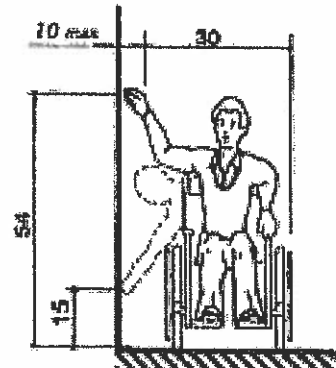
**Flush Controls:** Hand-operated or automatic controls shall be mounted no more than 44" above the finished floor.

### Reach Limit

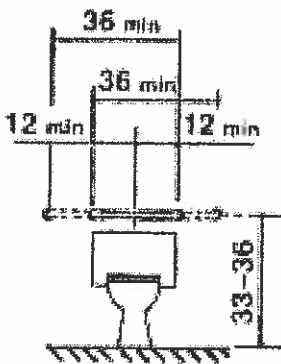
#### High Forward



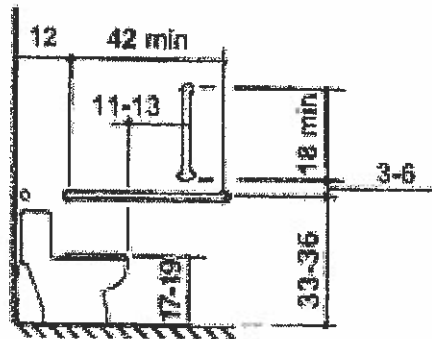
#### High and Low Side



## Grab Bars at Toilets

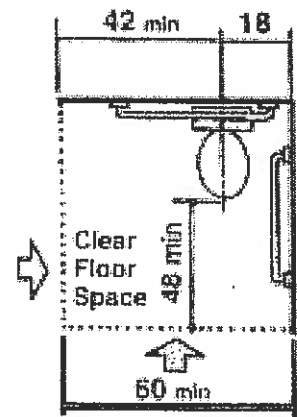


Back Wall



Side Wall

## Clear Floor Space at Toilets

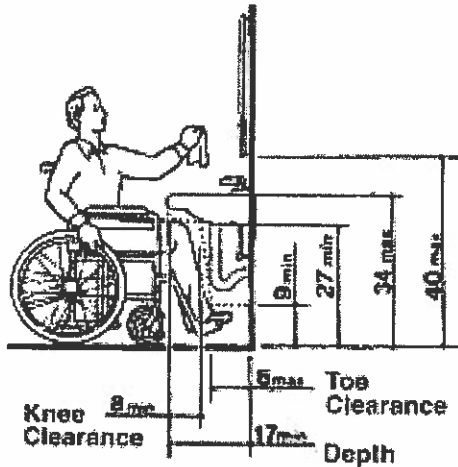


Building Official

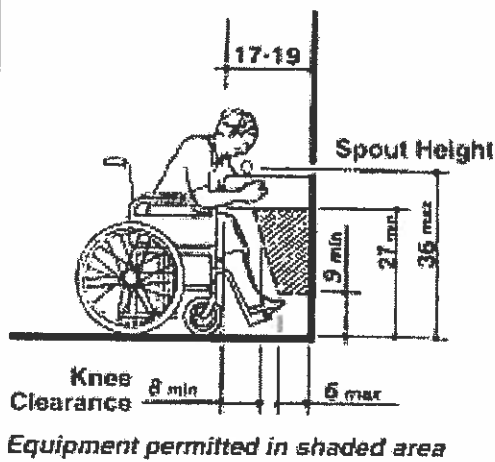
PH 218-283-0706

FAX 218-283-3590

### Sink Clearance

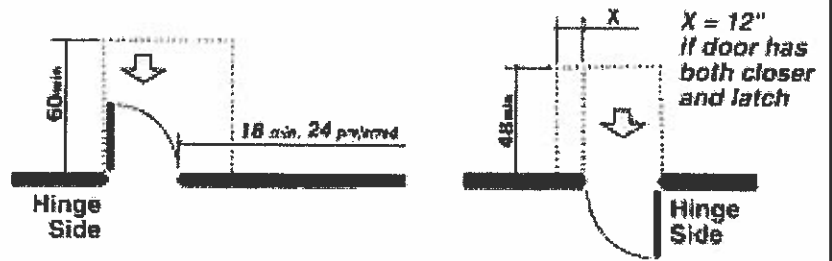


### Water Fountain Clearance

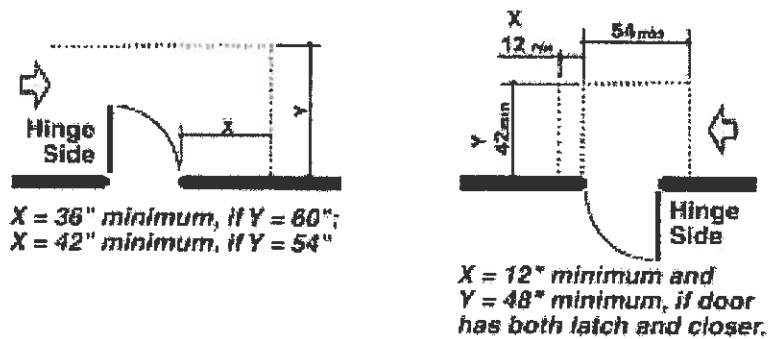


### Maneuvering Clearance at Swinging Doors

#### Front Approach

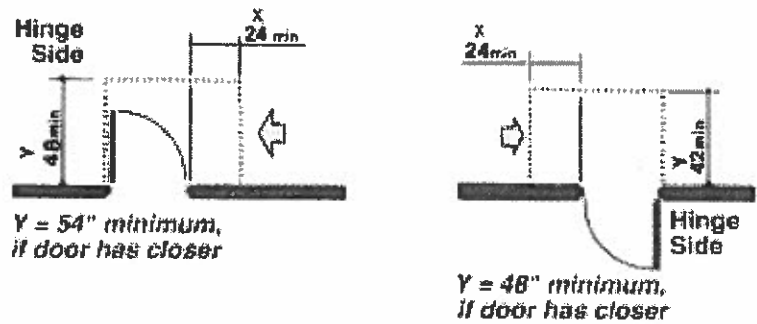


#### Hinge Side Approach

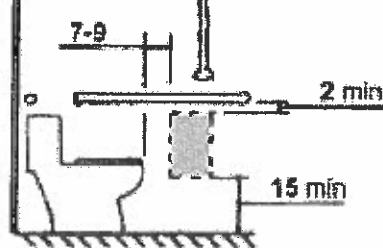


#### Latch Side Approach

Doors in alcoves shall comply with front approach clearances.

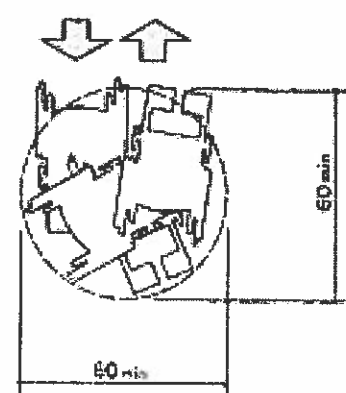


### Surface Mounted Dispenser



### Wheelchair Turning Space

#### 60"-Diameter Space



#### T-Shaped Space for 180° Turn

